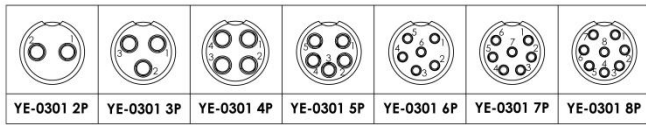
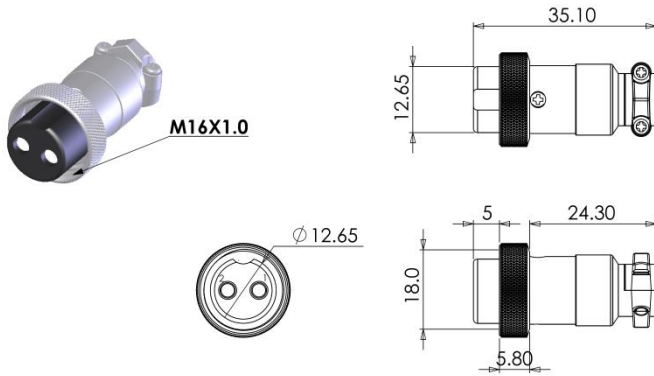


YE-0301 XP CB MIC. CABLE JACK



MATERIAL :

1. SHIELD COVER : Zn ALLOY NICKEL PTD.
2. SCREW CAP: BRASS NICKEL PTD.
3. HOUSING : BAKELITE
4. TERMINALS : COPPER NICKEL PTD.
5. CABLE HOLDER : Zn ALLOY NICKEL PTD.
6. SET RING : BRASS NICKEL PTD.
7. INSULATION TUBE : PVC
8. SET SCREW : STEEL NICKEL PTD.
9. HOLDER SCREW : STEEL NICKEL PTD.

SPECIFICATION :

Contact resistance:

300 m Ω max.

Insulation resistance:

100 MΩ 250V DC

Withstanding voltage:

1 min at 250V AC

